

# CS-PT400-2

Piezo-resistance silicon sensor level transmitter

- **Accuracy:  $\pm 0.5\%$  F.S**
- 4~20mA output
- Special structure for different applications
- Silicon sensor
- Multiple measurement ranges and signal output

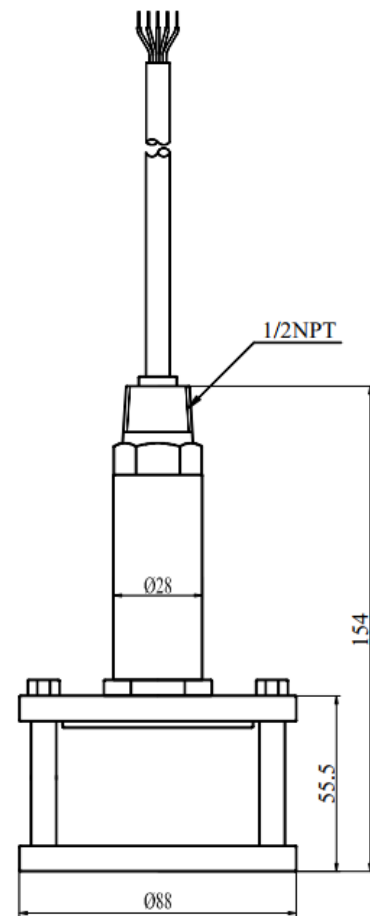
## Applications

- Deep well level measurement
- Hydraulic monitoring in rivers and sea
- Sewage treatment
- Muddy liquid level measurement
- Reservoir level measurement



## Description

CS-PT400-WH series of level transmitter have special structures for specific applications. The products feature high accuracy, small size, stability, resistance to abrasion, oil, acid and alkali environment. Vented cable is provided as air pressure reference. Stainless steel and cable are compatible with various types of liquid.



CS-PT400-2

## Technical data

Measurement range	0~5mH <sub>2</sub> O
Overload pressure	1.5 times of measurement range
Failure pressure	3 times of measurement range
Accuracy	±0.5%F.S.
Stability	Typical value: 0.1%F.S, Maximum value: 0.2%F.S
Operating temp.	— 40°C~85°C
Compensating temp.	— 10°C~70°C
Medium compatibility	All medium compatible with 1Cr18Ni9Ti and 316L
Electrics feature	Two-wire type Three-wire type
Signal output	4~20mA
Power supply	10~36VDC
Load resistance	(U-10)/0.02(Ω)
Insulation	>100M Ω@50V
Response time	10ms
Pressure form	Gauge pressure: G
Certification	Explosion proof certificate, CE certificate
Electromagnetic compatibility	Electromagnetic radiation: EN50081-1/-2; Electromagnetic sensitivity: EN50082-2;